

Journal Pre-proofs

Selective and electronic detection of COVID-19 (Coronavirus) using carbon nanotube field effect transistor-based biosensor: A proof-of-concept study

M. Thanishaichelvan, S.N. Surendran, T. Kumanan, U. Sutharsini, P. Ravirajan, R. Valluvan, T. Tharsika

PII: S2214-7853(21)03564-1

DOI: <https://doi.org/10.1016/j.matpr.2021.05.011>

Reference: MATPR 25169

To appear in: *Materials Today: Proceedings*

Please cite this article as: M. Thanishaichelvan, S.N. Surendran, T. Kumanan, U. Sutharsini, P. Ravirajan, R. Valluvan, T. Tharsika, Selective and electronic detection of COVID-19 (Coronavirus) using carbon nanotube field effect transistor-based biosensor: A proof-of-concept study, *Materials Today: Proceedings* (2021), doi: <https://doi.org/10.1016/j.matpr.2021.05.011>

This is a PDF file of an article that has undergone enhancements after acceptance, such as the addition of a cover page and metadata, and formatting for readability, but it is not yet the definitive version of record. This version will undergo additional copyediting, typesetting and review before it is published in its final form, but we are providing this version to give early visibility of the article. Please note that, during the production process, errors may be discovered which could affect the content, and all legal disclaimers that apply to the journal pertain.

© 2021 Elsevier Ltd. All rights reserved. Selection and peer-review under responsibility of the scientific committee of the Indo-UK International Virtual Conference on Advanced Nanomaterials for Energy and Environmental Applications (ICANEE-2020)





[ICANEE-2020]

Selective and Electronic detection of COVID-19 (Coronavirus) using Carbon nanotube field effect transistor-based Biosensor: A proof-of-concept study

M. Thanishaichelvan^{a*}, S. N. Surendran^b, T. Kumanan^c, U. Sutharsini^a, P. Ravirajan^a, R. Valluvan^d, T. Tharsika^e

^aDepartment of Physics, Faculty of Science, University of Jaffna, Jaffna 40000, Sri Lanka

^bDepartment of Zoology, Faculty of Science, University of Jaffna, Jaffna 40000, Sri Lanka

^cDepartment of Medicine, Faculty of Medicine, University of Jaffna, Jaffna 40000, Sri Lanka

^dDepartment of Electrical and Electronic Engineering, Faculty of Engineering, University of Jaffna, Ariviyal Nagar, Kilinochchi 44000, Sri Lanka

^eDepartment of Interdisciplinary Studies Faculty of Engineering, University of Jaffna, Ariviyal Nagar, Kilinochchi 44000, Sri Lanka

Abstract

In this work, we propose and demonstrate a carbon nanotube (CNT) field-effect transistor (FET) based biosensor for selective detection of severe acute respiratory syndrome coronavirus 2 (SARS-CoV-2). CNT FETs were fabricated on a flexible Kapton substrate and the sensor was fabricated by immobilizing the reverse sequence of the 25-base portion of the RNA-dependent RNA polymerase gene of the SARS-CoV-2 onto the CNT channel. The biosensors were tested for the synthetic positive and control target sequences. The biosensor showed a selective sensing response to the positive target sequence with a limit of detection of 10 fM. The promising results from our study suggest that the CNT FET based biosensors can be used as a diagnostic tool for the detection of SARS-CoV-2.

Keywords: SARS-CoV-2; COVID-19;; Biosensor; Rapid detection; Coronavirus, Carbon nanotube Field-effect transistor

1. Introduction

As of today, the COVID-19 pandemic is a global challenge and scientists are working on therapeutics, vaccines and fast diagnostic techniques. Since, therapeutics being delayed and vaccines are under way, fast diagnostic techniques could help to control the spread and to open the borders without affecting the economy [1]. Rapid detection techniques have been developed and commercialized using antibody and antigen sensors [2]. However, the antibody test is not a reliable test for detecting SARS-CoV-2. As per, WHO, Real time polymerase chain reaction (qPCR) is the recommended test for detecting SARS-CoV-2. However, expensive equipment, trained personals and longer processing time make qPCR as a non-effective method for point-of-care application. Longer time taken for qPCR is due to longer amplification step before detecting the positive sequence. The time taken for the amplification step can be saved by employing a highly sensitive and selective detection mechanism instead of the optical labeling method used in qPCR test. CNT network FETs are known as one of the best platforms for electronic biosensors [3–5] that can selectively detecting metal ions [6] and biomolecules including hormones [7], viruses and whole cells. Recently, a graphene FET based biosensor is reported using a specific antibody against SARS-CoV-2 spike protein as the primary sensing element [2].

In this work, we report a proof of concept electronic biosensor for rapid detection of SARS-CoV-2 based on liquid gated CNT network FETs. The sensors were successfully fabricated and selective detection of SARS-CoV-2 was demonstrated.

2. Materials and methods

2.1. CNT FET and sensor fabrication

The carbon nanotube field effect transistors on a flexible Kapton substrates with encapsulated electrodes were fabricated as reported earlier [6,8]. 99 % semiconducting CNTs with an average diameter of 1.5 nm was used to fabricate the CNT network. The CNT thin film on the Kapton substrate were deposited a simple solution process technique [9,10]. The CNT suspension was made by sonicating a tweezer tip amount of CNT bucky paper. Then the Kapton substrate was functionalized with a monolayer of 2-mercaptopyridine using polydimethylsiloxane (PDMS) (Sylgard 184) stamping method. The functionalized Kapton film was immersed into the CNT suspension for 20 min. The CNT deposited Kapton surface was cleaned by immersing it into absolute ethanol for 10 min and dried in nitrogen. The CNTs in the unwanted area were removed by plasma cleaning at 600 mTorr pressure and 10 SCCM flow of 99.99 % oxygen gas. The electrodes were then deposited using successive evaporation of 5 nm Cr and 50 nm Au after defining the electrodes using photolithography. The electrodes were encapsulated using AZ1518 photoresist to avoid gate leakage [11,12]. The probe sequences were immobilized onto the CNT sidewalls as described in refs [6,13] using pyrenebutanoic acid, succinimidyl ester as the molecular linker.

All the sequences used in this study was purchased from Integrated DNA Technologies, USA. The probe sequence that was immobilized onto the CNT sidewalls is the reverse sequence of the RNA-dependent RNA polymerase gene of the SARS-CoV-2 [14]. Before functionalization, the probe suspension in 20 mM tris buffer was annealed at 70°C in an electric Owen (BioBase).

2.2. CNT FET and Sensor measurements

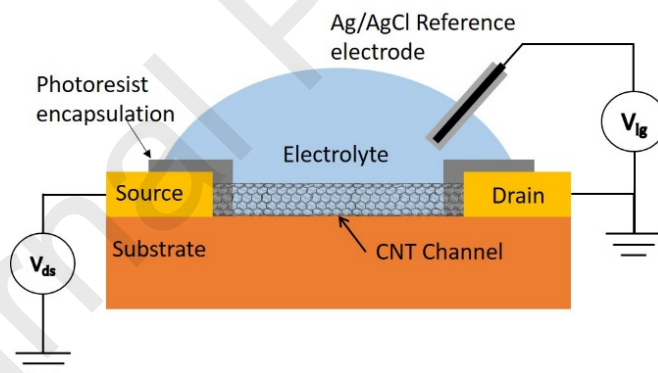


Fig. 1. Schematic of the CNT FET fabricated on a flexible Kapton substrate with encapsulated electrodes with external electrical circuit for FET and sensor measurements

The transfer characteristic curves of the pristine and probe immobilized CNT FETs were measured under liquid gated conditions using 2 mM Tris buffer solution and an Ag/AgCl standard electrode as the gate. The schematic of the fabricated device along with the measurement setup is illustrated in figure 1. A well made up of PDMS was mounted onto the channel to hold the electrolyte and target solution in the channel area. A computer interfaced Keithley 2602 source measure unit was used for electrical measurements. The device current (I_{ds}) was measured by sweeping the gate voltage (V_{lg}) from -0.5 V to 1 V with a step size of 0.02 V. The sensor measurements were done by continuously monitoring I_{ds} with a sample time interval of 1 S. The sensors were tested for both positive and negative target sequence as given in table 1. Both positive and control sequence solution was prepared by dissolving the purchased sequences in 2 mM tris buffer.

Table 1. Sequences of probes and positive and negative targets used in this study.

	Sequence of the primers and probes
Probe	Amine-5'-GCATC TCCTG ATGAG GTTCC ACCTG-3
Positive target sequence (SARS-CoV-2 RdRP)	CAGGT GGAAC CTCAT CAGGA GATGC
Control target sequence	C CAGGT GGAAC ATCAT CCGGT GATGC

3. Results and discussion

We fabricated a CNT FET based biosensor to selectively detect a portion of the SARS-CoV-2 RNA. The positive target sequence was the RNA-dependent RNA polymerase gene (RdRP) of the SARS-CoV-2 as reported previously [14]. The probe for selective detection used was the reverse sequence of the positive target sequence with an amino modification at the 5' end for immobilization purpose. The negative control sequence was the RNA-dependent RNA polymerase gene of the SARS virus. The negative sequence has four mismatches with the reverse sequence of the RNA-dependent RNA polymerase gene of the SARS-CoV-2. We chose the control sequence for differentiate the closely related RNA sequence of the severe acute respiratory syndrome (SARS) viral RNA from the RNA of SARS-CoV-2.

3.1. Immobilization of the probe sequence

The CNT FETs were electrically tested to ensure the immobilization of the probe sequence. Figure 2 shows the transfer characteristic curves of the pristine and probe immobilized CNT FETs. The pristine CNT FET showed ambipolar characteristics with a positive threshold voltage (V_{th}) which indicate the hole dominated electrical conduction at a gate bias of 0 V. A clear positive shift in threshold voltage is observed after immobilization of probe sequence. This is consistent with our previous works and ensures the tethering of probes on the sidewalls of CNTs [6,7]. The Debye length of the 2 mM tris buffer solution used was about 10 nm. The length of the probe sequence is also about 10 nm and any changes in the probe sequence will be in the vicinity of the CNT channel.

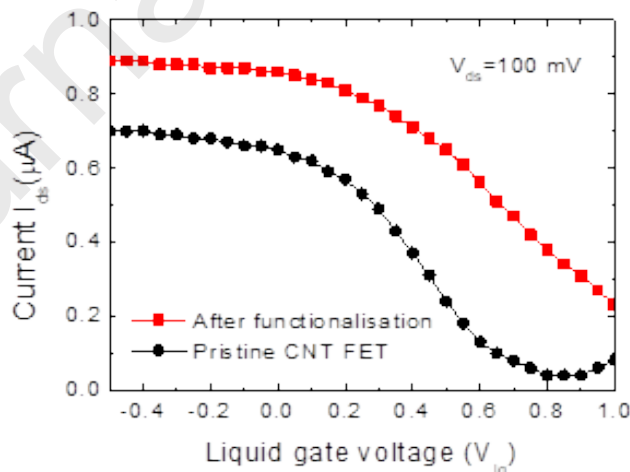


Fig. 2. Transfer characteristic curves of a pristine (black circle) and probe immobilized (red square) CNT network FET under liquid gated conditions with 2 mM Tris buffer as an electrolyte and Ag/AgCl as the standard electrode

3.2. Sensor measurements

The target sequences were prepared with different concentrations in 2 mM Tris buffer. The initial stock solution was prepared at 10 μM as given the suppliers information and diluted further to obtain target sequences with concentrations of 10 pM. The target sequences were added into the PDMS well by monitoring the current I_{ds} with an interval of 1 S. Figure 3 shows the response of the biosensors for both positive and control targets. The addition of positive target shows a clear concentration depended drop in device current. The drop in the device current could be attributed to the change of band realignments [11] and electrostatic gating[6] at the metallic-semiconductor carbon nanotube junction due to the hybridization of the DNA.

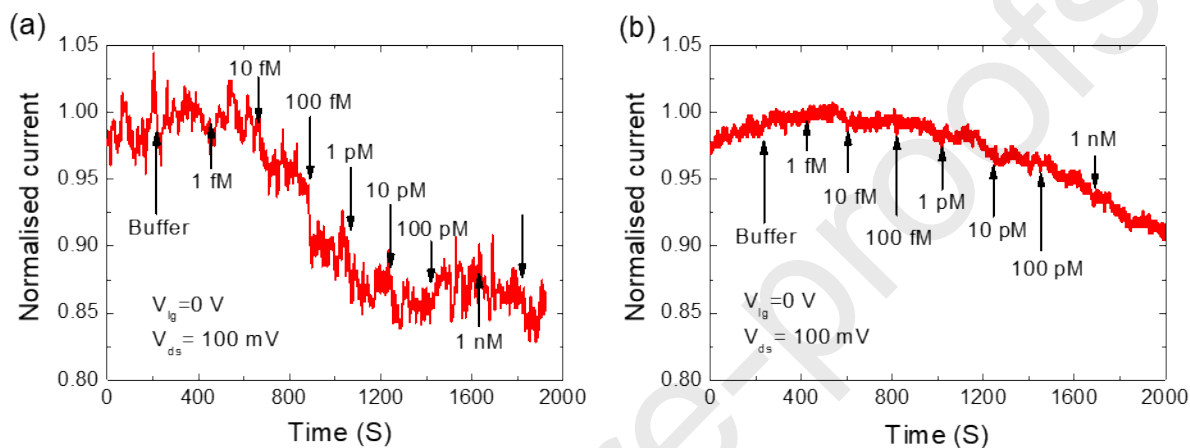


Fig. 3. Normalized real time sensing response of the probe immobilized CNT FET biosensor for (a) positive target sequence and (b) control target sequence with increasing concentrations

The concentration depended normalized current response is given in figure 4. The deviation between the response of the positive and control sequences are prominent and this could be a clear indication of the selective response of the tested biosensor. As discussed earlier, the control sequence is selected to differentiate SARS-COV-2 and SARS virus. Hence, we can say that the relatively higher response of the biosensor for the control sequence at concentration of 1 nM is due to the aggregation of the negative sequence within the electrical double layer of the CNT channel.

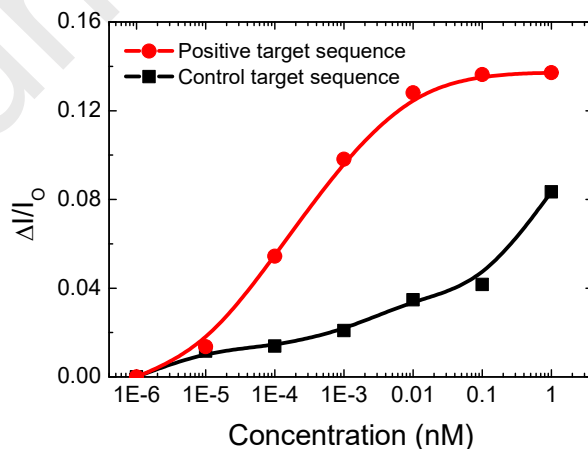


Fig. 4. Normalized concentration depended current response of the probe immobilized CNT FET biosensors for both positive and control target sequence

Conclusion

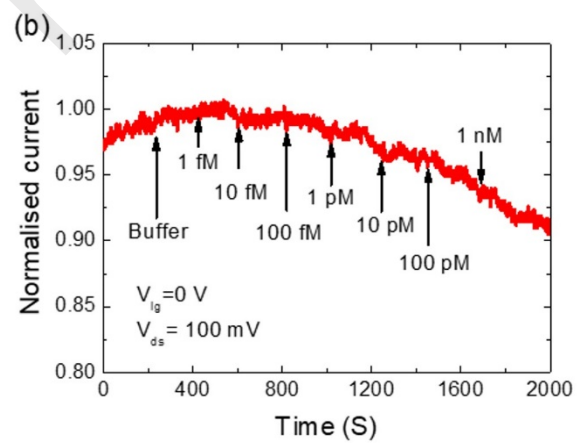
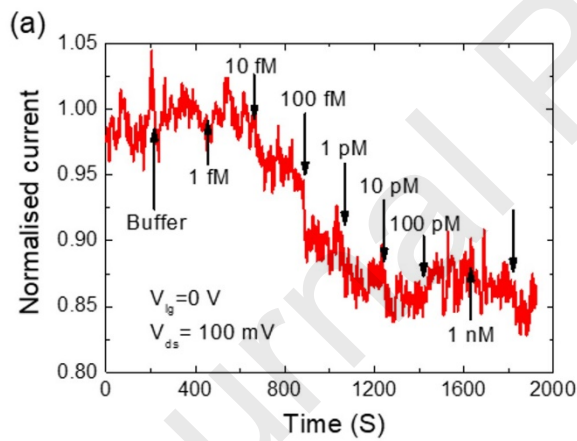
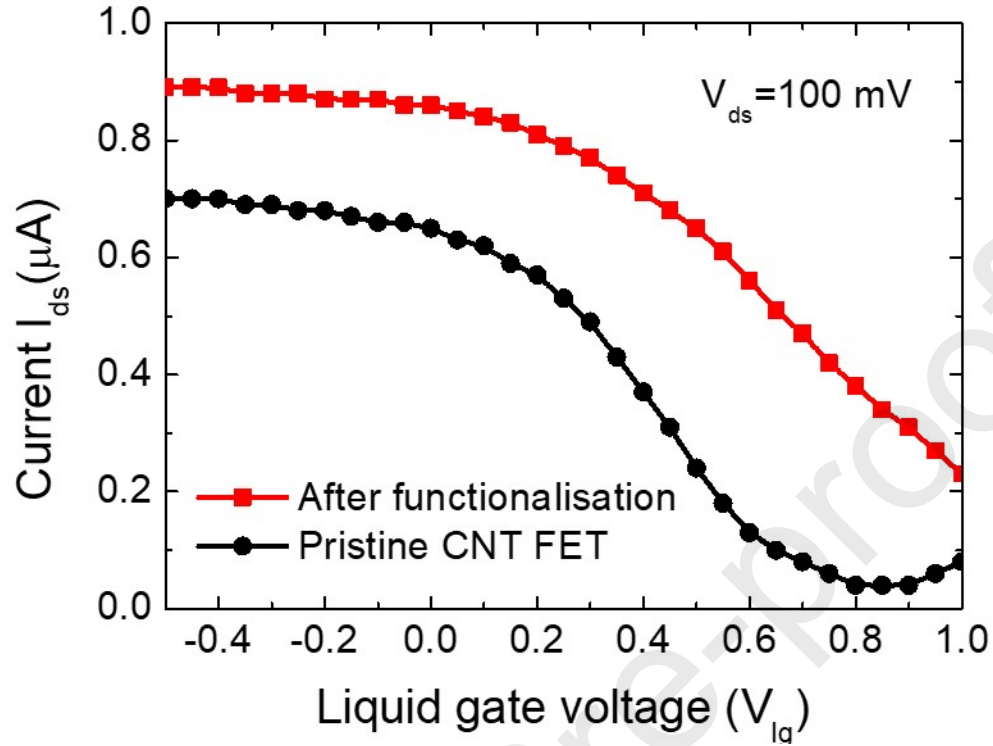
We demonstrate a proof-of-concept electronic detection technique for selectively diagnosing SARS-COV-2. The RNA hybridization was used as the primary signal generator and the liquid gated CNT network FET was used as the signal transducer. The sensors produced a promising sensing signal at 10 fM concentrations of the positive target sequences at real time sensing conditions. The proposed CNT FET based biosensor can be developed as a reliable, fast and cheap alternative for existing diagnostic techniques.

Acknowledgements

Authors sincerely acknowledge Dr. Natalie O V Plank for allowing to use the devices fabrication facilities in clean room at Victoria University of Wellington. Dr. M. Thanishaichelvan acknowledges National Science Foundation, Sri Lanka for a research grant (NSF/COVID/2020/HS/02).

References

- [1] E. Morales-Narváez, C. Dincer, The impact of biosensing in a pandemic outbreak: COVID-19, *Biosens. Bioelectron.* 163 (2020). <https://doi.org/10.1016/j.bios.2020.112274>.
- [2] G. Seo, G. Lee, M.J. Kim, S.-H. Baek, M. Choi, K.B. Ku, C.-S. Lee, S. Jun, D. Park, H.G. Kim, S.-J. Kim, J.-O. Lee, B.T. Kim, E.C. Park, S. Il Kim, Rapid Detection of COVID-19 Causative Virus (SARS-CoV-2) in Human Nasopharyngeal Swab Specimens Using Field-Effect Transistor-Based Biosensor, *ACS Nano.* (2020). <https://doi.org/10.1021/acsnano.0c02823>.
- [3] S. Liu, X. Guo, Carbon nanomaterials field-effect-transistor-based biosensors, *NPG Asia Mater.* 4 (2012) 23. <https://doi.org/10.1038/am.2012.42>.
- [4] K. Tamersit, F. Djeflal, Carbon Nanotube Field-Effect Transistor with Vacuum Gate Dielectric for Label-Free Detection of DNA Molecules: A Computational Investigation, *IEEE Sens. J.* 19 (2019) 9263–9270. <https://doi.org/10.1109/JSEN.2019.2925597>.
- [5] B.L. Allen, P.D. Kichambare, A. Star, Carbon nanotube field-effect-transistor-based biosensors, *Adv. Mater.* 19 (2007) 1439–1451. <https://doi.org/10.1002/adma.200602043>.
- [6] M. Thanishaichelvan, L.A. Browning, M.P. Dierkes, R.M. Reyes, A.V. Kralicek, C. Carraher, C.A. Marlow, N.O.V. Plank, Metallic-semiconducting junctions create sensing hot-spots in carbon nanotube FET aptasensors near percolation, *Biosens. Bioelectron.* 130 (2019) 408–413. <https://doi.org/10.1016/j.bios.2018.09.021>.
- [7] H.Y. Zheng, O.A. Alsager, C.S. Wood, J.M. Hodgkiss, N.O.V. Plank, Carbon nanotube field effect transistor aptasensors for estrogen detection in liquids, *J. Vac. Sci. Technol. B, Nanotechnol. Microelectron. Mater. Process. Meas. Phenom.* 33 (2015) 06F904. <https://doi.org/10.1116/1.4935246>.
- [8] G. Qiu, Z. Gai, Y. Tao, J. Schmitt, G.A. Kullak-Ublick, J. Wang, Dual-Functional Plasmonic Photothermal Biosensors for Highly Accurate Severe Acute Respiratory Syndrome Coronavirus 2 Detection, *ACS Nano.* (2020). <https://doi.org/10.1021/acsnano.0c02439>.
- [9] M. Thanishaichelvan, L.A. Browning, M.P. Dierkes, R.M. Reyes, A.V. Kralicek, C. Carraher, C.A. Marlow, N.O.V. Plank, Data on liquid gated CNT network FETs on flexible substrates, *Data Br.* 21 (2018) 276–283. <https://doi.org/10.1016/j.dib.2018.09.093>.
- [10] N.O.V. Plank, M. Ishida, R. Cheung, Positioning of carbon nanotubes using soft-lithography for electronics applications, *J. Vac. Sci. Technol. B Microelectron. Nanom. Struct.* 23 (2005) 3178–3181. <https://doi.org/10.1116/1.2134713>.
- [11] H.Y. Zheng, N.O.V. Plank, Facile fabrication of carbon nanotube network thin film transistors for device platforms, *Int. J. Nanotechnol.* 14 (2017) 505–518. <https://doi.org/10.1504/IJNT.2017.082473>.
- [12] T. Murugathas, H.Y. Zheng, D. Colbert, A.V. Kralicek, C. Carraher, N.O.V. Plank, Biosensing with Insect Odorant Receptor Nanodiscs and Carbon Nanotube Field-Effect Transistors, *ACS Appl. Mater. Interfaces.* 11 (2019) 9530–9538. <https://doi.org/10.1021/acсами.8b19433>.
- [13] T. Murugathas, C. Hamiaux, D. Colbert, A. V Kralicek, N.O.V Plank, C. Carraher, Graphene-FET based biosensors for evaluating insect odorant receptor display formats, *ACS Appl. Electron. Mater.* 2,11 (2020) 3610–3617, <https://doi.org/10.1021/acsaelm.0c00677>
- [14] H.Y. Zheng, O.A. Alsager, B. Zhu, J. Travas-Sejdic, J.M. Hodgkiss, N.O.V Plank, Electrostatic gating in carbon nanotube aptasensors, *Nanoscale.* 8 (2016) 13659–13668. <https://doi.org/10.1039/c5nr08117c>.



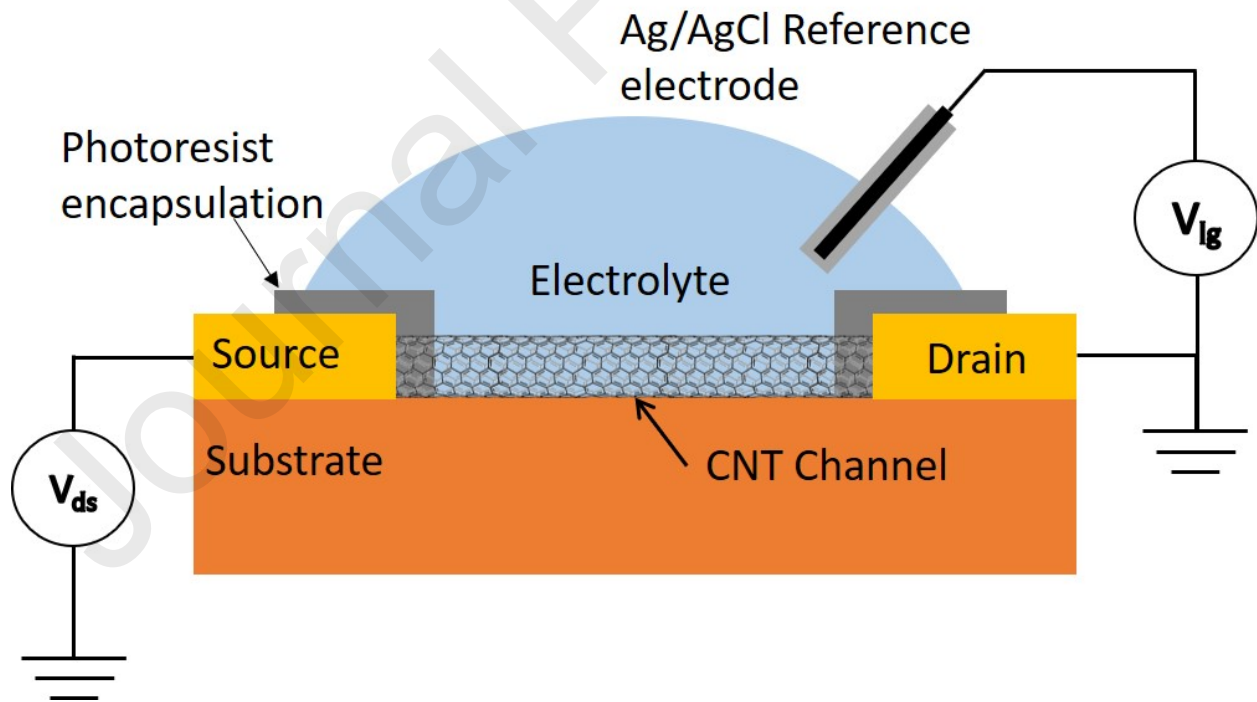
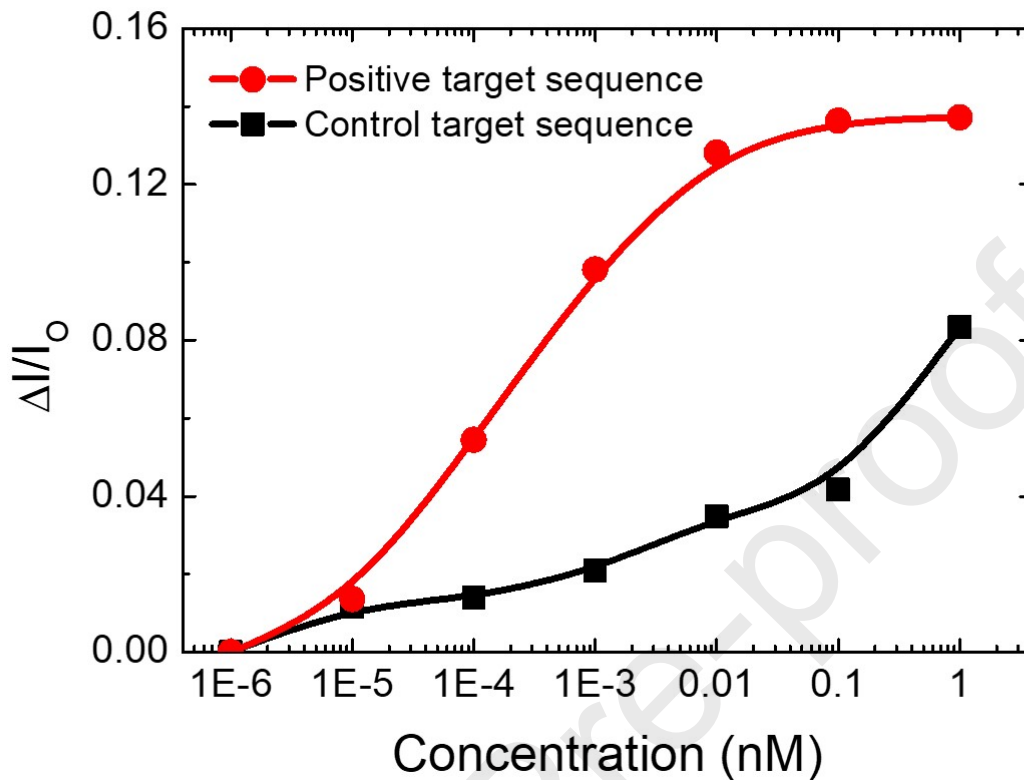


Table 1. Sequences of probes and positive and negative targets used in this study.

Sequence of the primers and probes	
Probe	Amine-5'-GCATC TCCTG ATGAG GTTCC ACCTG-3

Positive target sequence (SARS-CoV-2 RdRP)	CAGGT GGAAC CTCAT CAGGA GATGC
Control target sequence	C CAGGT GGAAC A TCAT CCGGT GATGC

Author statement

Journal Pre-proofs